

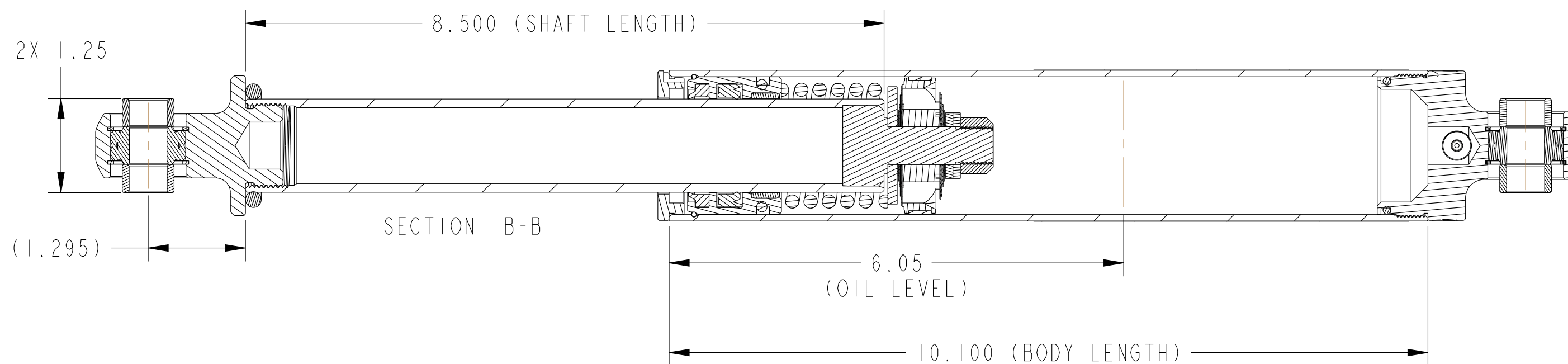
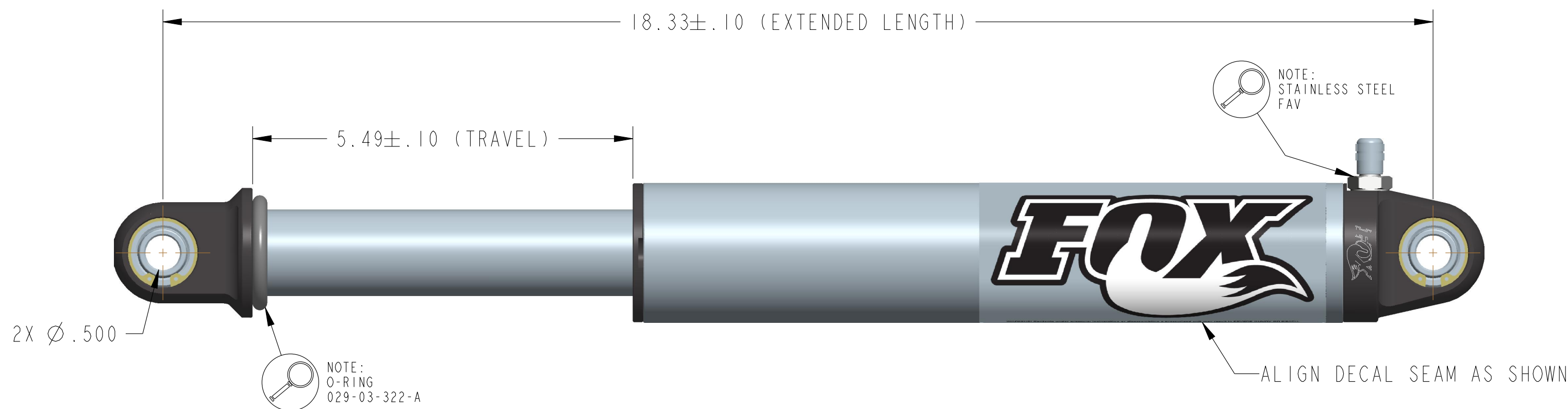
4

3

2

1

REVISIONS				
ZONE	REV	DESCRIPTION	DATE	APPROVED
	A	RELEASED FOR PRODUCTION	11/11/03	JM
	B	REDRAWN IN PROE & CHANGE VALVING PART NUMBERS	2/15/13	BS



PART NO.	VALVING
980-02-015	40/90 (2X .070 BLEED)
980-02-015-1	CUSTOM

- NOTES:
1. VALVING: SEE TABLE
 2. SEALS: STANDARD
 3. OIL LEVEL: 6.05" (165 cc)
 4. MOUNTING: SPACER KIT (FOX P/N: 803-00-030-A)
 5. NITROGEN CHARGE: 200 ±10 PSI

- PROPRIETARY -
THIS DOCUMENT CONTAINS CONFIDENTIAL, PROPRIETARY INFORMATION
THAT IS FOX PROPERTY. DO NOT DISCLOSE TO OR DUPLICATE
FOR OTHERS EXCEPT AS AUTHORIZED BY FOX.

UNLESS OTHERWISE SPECIFIED DIMENSIONS ARE IN: INCHES [MM]	PER ASME Y14.5M 1994	
TOLERANCES ARE: DECIMALS .XX [.X] ± .01 [0.25] .XXX [.XX] ± .005 [0.13]	APPROVALS	DATE
ANGLES ± 1°	DWN. BY B SMITH	Feb-15-13
THIRD ANGLE PROJECTION	CHK. BY	
	ENG. J MARKING	11-Nov-03
DO NOT SCALE DRAWING	MFG.	
	ADD.	

FOX FOX Factory, Inc. Ph 831-768-1100
130 Hangar Way, Watsonville, CA 95076 USA Fax 831-768-9312

TITLE: 5.5", Ø1.250 SHAFT, A/S
2.0 SERIES, BLACK

SIZE DWG. NO. **980-02-015**

PLOT SCALE | .00:1 | SHEET 1 OF 1

4

3

2

1