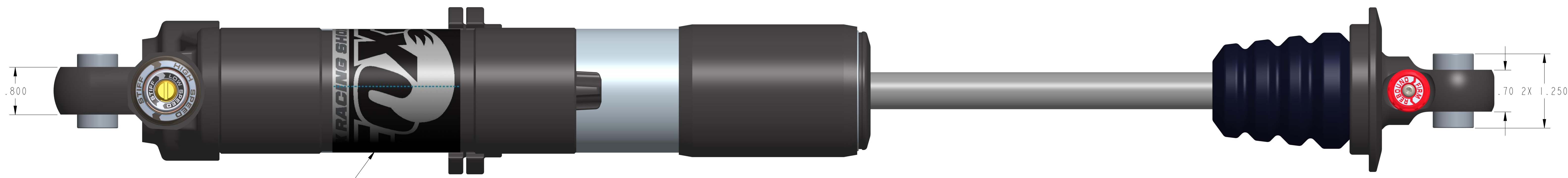
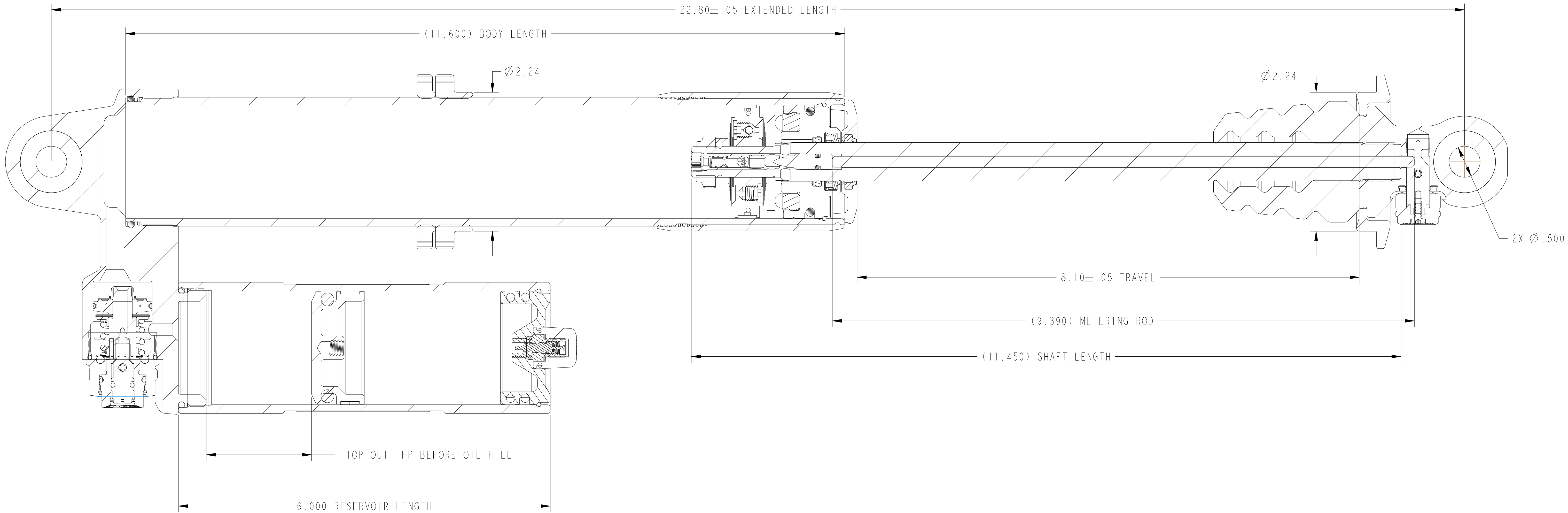
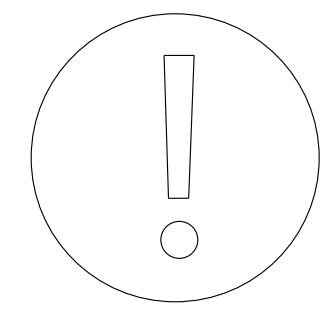


REVISIONS				
ZONE	REV	DESCRIPTION	DATE	APPROVED
	A	PRODUCTION RELEASE	4/24/14	MW
	B	PISTON NOW DIGRESSIVE	1/29/15	MW
	C	VALVING CHANGED DSC WAS 815-04-066 SPRING GUIDE WAS 234-29-000 BOX ADDED	12/17/18	MW



POSITION DECAL AS SHOWN



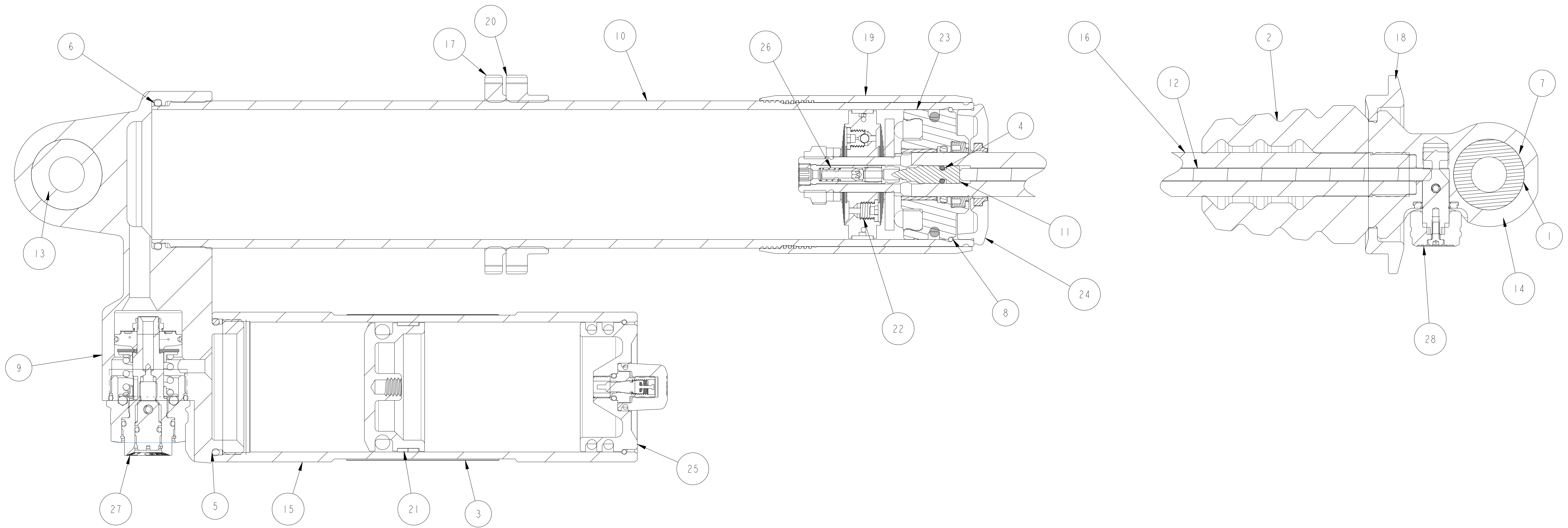
IMPORTANT:
USE BOX 007-05-031 [28-3/4 x 5-3/4 x 5-3/4] PS COIL-OVER, OR

NOTES:

1. NITROGEN CHARGE PRESURE 125 psi
2. ENGRAVE FOX PART NUMBER AND WORK ORDER NUMBER ON BEARING CAP

THIS DOCUMENT CONTAINS CONFIDENTIAL, PROPRIETARY INFORMATION THAT IS FOX PROPERTY. DO NOT DISCLOSE TO OR DUPLICATE FOR OTHERS EXCEPT AS AUTHORIZED BY FOX.

UNLESS OTHERWISE SPECIFIED, DIMENSIONS ARE IN: INCHES (MM)	PER ASME Y14.5M 1994		FOX Factory, Inc. 130 Hangar Way, Watsonville, CA 95076 USA Ph 831-768-1100 Fax 831-768-9312
	APPROVALS	DATE	
TOLERANCES ARE: DECIMALS .XX (.XX) ± .01 (0.25) .XXX (.XX) ± .005 (0.13)	DWN: M. WALLACE	4/22/14	PROLINK AL C/O PB RC2 [22.8 EXTENDED, 8.10 TRAVEL]
ANGLES ± 1°	CHK. BY		
THIRD ANGLE PROJECTION	ENG. M. WALLACE	4/22/14	D
DO NOT SCALE DRAWING	MFG.		984-02-095
	ADD.		PLOT SCALE [1:1]
			SHEET 1 OF 2



ITEM	PART NUMBER	DESCRIPTION	QTY
1	001-00-004	Bearing: Spherical [Ø 0.500 Bore, (-8)] Teflon Liner, FKST	2
2	008-02-005	Bumper: B/O [Ø 0.620 Shaft, 2.350 TLG] MCU	1
3	024-00-182	Decal: [2.15" X 6.25"] Generic Reservoir, Black & White	1
4	029-00-006	Seals: O-Ring [(-006) .070 C.S. X 0.114 ID] Standard, N674-70, Dynamic	1
5	029-03-132	Seals: O-Ring [(-132) .103 C.S. X 1.737 ID] Standard, N-70, Static	1
6	029-03-135-A	Seals: O-Ring [(-135) .103 C.S. X 1.925 ID] Standard, N-70, Static	1
7	038-00-015	Retaining Ring: Snap [-100] Steel, Gold Zinc, Basic Internal	4
8	038-01-005	Retaining Ring: Wire [0.062 CS X 1.850 ID] 17-7 SS	2
9	206-28-000	Body Cap: (T) Piggyback, 0° [Ø 1.834 Bore, Ø 0.9987 Eyelet Bore, UNS Thread] 606	1
10	207-14-061-X	Body: (T) [Ø 1.834 Bore, 11.600 TLG] AL 6061, V2 O-Ring Gland, UNS	1
11	210-23-004	Damping Adjust Part: Needle, Parabolic, 0.200 rho, OD O-Ring	1
12	210-73-055	Damping Adjust Part: (T) Metering Rod [0.175 OD, 40° taper, 9.390 TLG] RD Adjust	1
13	213-18-005	Eyelet Parts: Spacer [0.506 ID X 0.690 OD X 0.375 TLG] Steel, Clear Zinc	4
14	213-85-503	Eyelet Parts: (T) Eyelet, RD Adjust, 90° [Ø 0.9987 Bore X 0.700 W, 5/8-18 UNF, 2	1
15	227-34-060-X	Reservoir: (T) [Ø 1.834 Bore, 6.000 TLG] AL 6061, Black Ano III, Threaded ID, O	1
16	229-37-X44	Shaft: (T) [0.187 ID X 0.620 OD X 11.450 TLG] Steel, Chrome, w/ Cross Hole Groov	1
17	234-00-409-A	Spring Hardware: Preload Ring B/U [2.850 OD X 0.300 TLG, Ø 1.834 Bore] AL 6061,	1
18	234-00-428	Spring Hardware: Spring Retainer [2.80 OD X 0.542 TLG, ? 2.240 FLG, ? 1.834 Bore	1
19	234-00-482	Spring Hardware: Spring Guide [2.230 OD X 3.000 TLG, Ø 1.834 Bore] Black Nylon	1

20	234-00-X08-A	Spring Hardware: Preload Ring [2.850 OD X 0.600 TLG, Ø 1.834 Bore] AL 6061, ACME	1
21	805-00-002	Piston Assembly: Floating [Ø 1.834 Bore] w/Std Temperature, O-Ring	1
22	807-12-206_	Valving Assembly: Track, Tuned Combination 206	1
23	812-07-027	Bearing Assembly: [Ø 1.834 Bore, Ø 0.620 Shaft, 0.995 TLG]	1
24	812-11-019	Bearing Assembly: Bearing Cap Assembly [Ø 1.834 Bore, Ø 0.620 Shaft] Black Ano,	1
25	813-00-093	Reservoir End Cap Assembly: [Ø 1.834 Bore, 5/16-32] Complete, w/ Schrader	1
26	815-02-041	Damping Adjust Assembly: Jet/Check Valve (same as 815-02-011)	1
27	815-04-144	Damping Adjust Assembly: DSC Adjuster, Valve Code Extra Hard, Screw	1
28	815-05-030	Damping Adjust Assembly: RD Red Al Knob, AM (Same as 815-05-027)	1