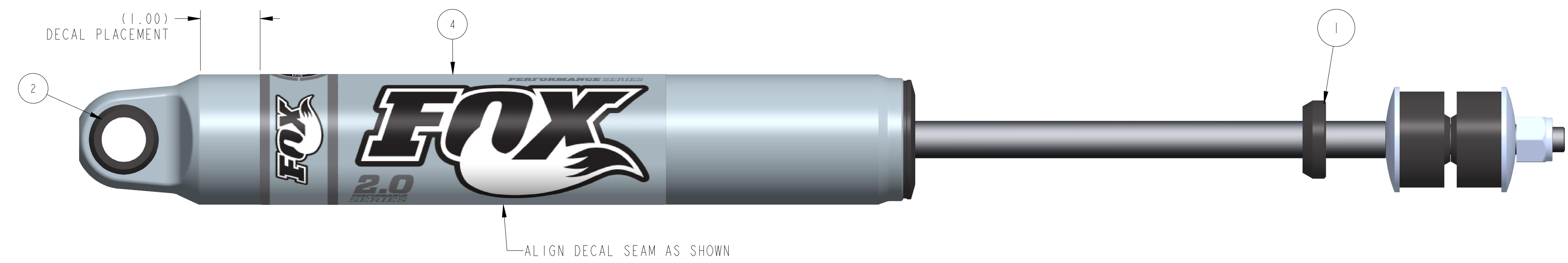
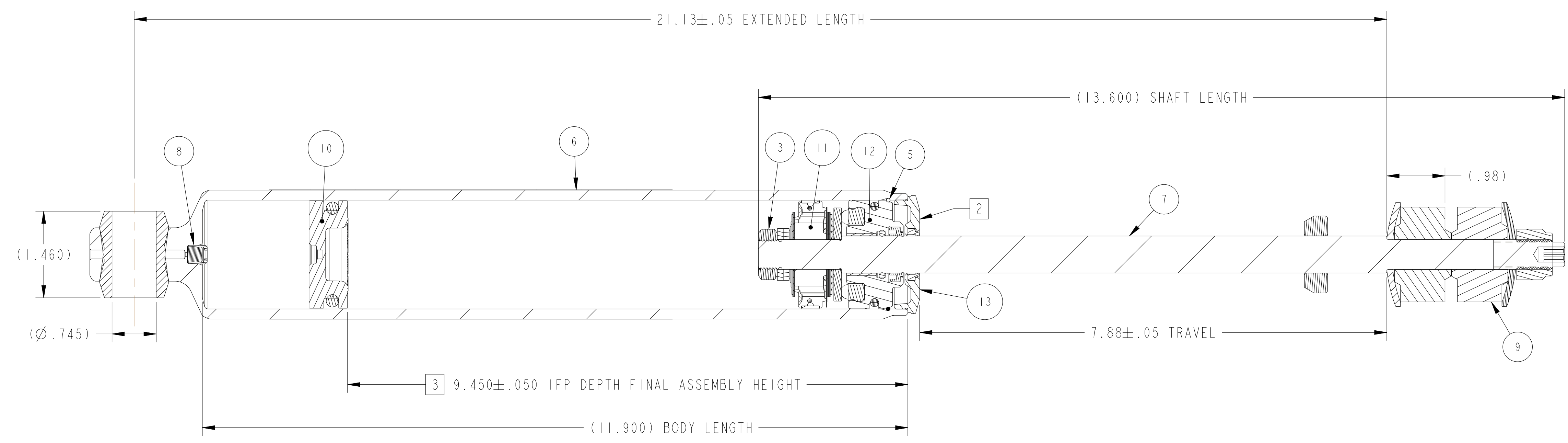


PROPRIETARY - THIS DOCUMENT CONTAINS CONFIDENTIAL, PROPRIETARY INFORMATION THAT IS FOX PROPERTY. DO NOT DISCLOSE TO OR DUPLICATE FOR OTHERS EXCEPT AS AUTHORIZED BY FOX.

REVISIONS				
ZONE	REV	DESCRIPTION	DATE	APPROVED
	A	PRODUCTION RELEASE	9/18/13	BS
	B	LONGER STEM AND BUSHINGS	4/3/14	V HANSO
	C	CHANGED BODY, SHAFT AND MOUNTING ORIENTATION	9/11/14	MD/VH



ITEM	PART NUMBER	DESCRIPTION	QTY
1	008-01-000	Bumper: B/O [Ø 0.620 Shaft, 0.453 TLG] nitrile	1
2	014-11-020	Bushing: Eyelet, Hourglass [Ø 0.750 ID X 1.460 TLG] Polyurethane, 85A	1
3	018-00-034	Fastener, Standard: Nut, Lock, Reversible [1/2-20 THD X 0.323 TLG] Steel, Zinc	1
4	024-04-031	Decal: O/R, [6.8" X 6.8"] Fox 2.0 Performance Series Body Decal	1
5	038-01-005	Retaining Ring: Wire [0.062 CS X 1.850 ID] 17-7 SS	1
6	207-32-119-X	Body: (T) [Ø 1.834 Bore, Ø 1.010 Eyelet Bore, 11.900 Depth] Al 6061, Hour Glass	1
7	230-05-106	Shaft: (T) [Ø 0.620 OD, 10.600 LG, 13.200 TLG Steel, Chrome, Solid, 1.400" Post Le	1
8	802-00-026	Air Valve Assembly: Pellet Retainer w/ Pellet, Nitrile	1
9	803-00-221	Kit: Mounting Hardware, Ø.500 Stem Mount	1
10	805-00-049	Piston Assembly: Floating [Ø 1.834 Bore, 0.650 TLG] w/ Standard O-ring	1
11	807-20-006	Valving Assembly: 2.0 Performance Series, Tuned Combination 006	1
12	812-07-027	Bearing Assembly: [Ø 1.834 Bore, Ø 0.620 Shaft, 0.995 TLG]	1
13	812-11-019	Bearing Assembly: Bearing Cap Assembly [Ø 1.834 Bore, Ø 0.620 Shaft] Black Ano,	1

NOTES:

1. APPLICATION REFERENCE: LAND ROVER DEFENDER (83-95) & DISCOVERY I (94-98) REAR - 0-1" LIFT.
2. BEARING STAMPED WITH FOX PART NUMBER AND JOB NUMBER.
3. IFP DEPTH DIMENSION IS AFTER FINAL ASSEMBLY. SEE DOCUMENT 610-05-112 FOR IFP PRE SEAL-HEAD INSTALLATION HEIGHT
4. NITROGEN CHARGE PRESSURE 200 ±10 PSI.
5. SEE REFERENCE DRAWING 610-02-299 FOR SHAFT ASSEMBLY INSTRUCTIONS.
6. SEE REFERENCE DRAWING 610-02-300 FOR BODY AND IFP ASSEMBLY INSTRUCTIONS.
7. SEE REFERENCE DRAWING 610-05-060-XX FOR MOUNT CONFIGURATION INSTRUCTIONS.

UNLESS OTHERWISE SPECIFIED, DIMENSIONS ARE IN: INCHES [MM]	PER ASME Y14.5M 1994	FOX Factory, Inc. 130 Hangar Way, Watsonville, CA 95076 USA Ph 831-768-1100 Fax 831-768-9312
	APPROVALS	
TOLERANCES ARE:	DWN: BY B. SMITH 11-Sep-13	TITLE 83-95 Defender & 94-98 Discovery I Land Rover, Rear PS, 2.0, IFP, 7.9", 0-1" Lift
DECIMALS .XX [.X] ± .01 [0.25] ANGLES ± 1°	CHK: BY	SIZE DWG. NO. 985-24-079
.XXX [.XX] ± .005 [0.13]	ENG. B. SMITH 11-Sep-13	PLOT SCALE 0.90:1 SHEET 1 OF 1
THIRD ANGLE PROJECTION	MFG.	
DO NOT SCALE DRAWING	ADD.	