

4

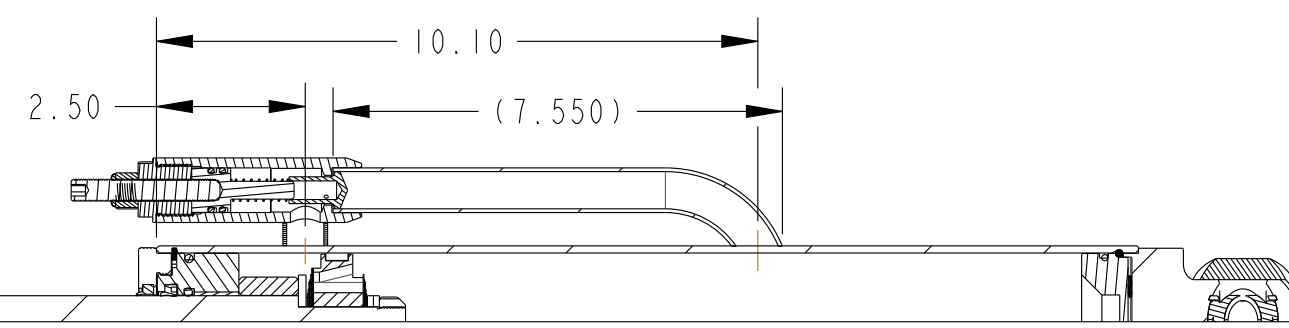
3

2

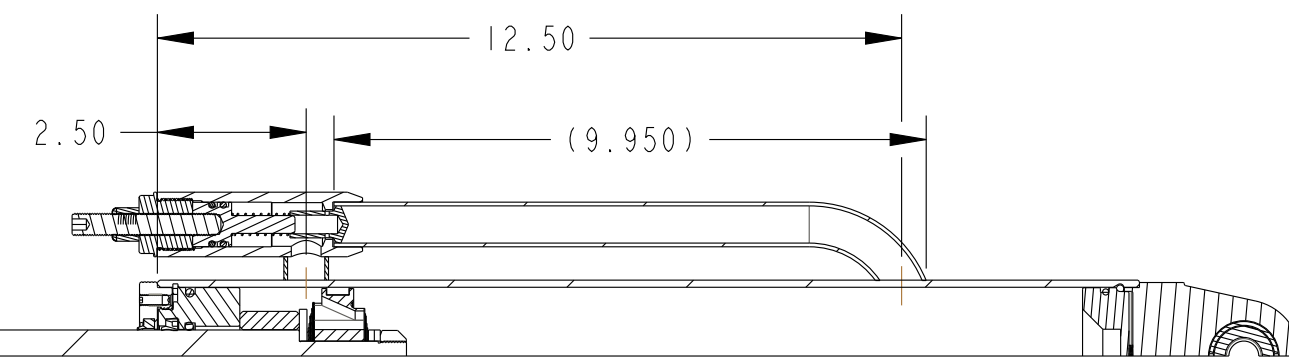
1

REVISIONS				
ZONE	REV	DESCRIPTION	DATE	APPROVED
	A	RELEASE TO PRODUCTION	5/12/08	JM
	B	PROE DRAWING CREATED, ROTATING BODY CAP, RESI OUT THE BOTTOM & VITON SEALS	2/22/13	BS

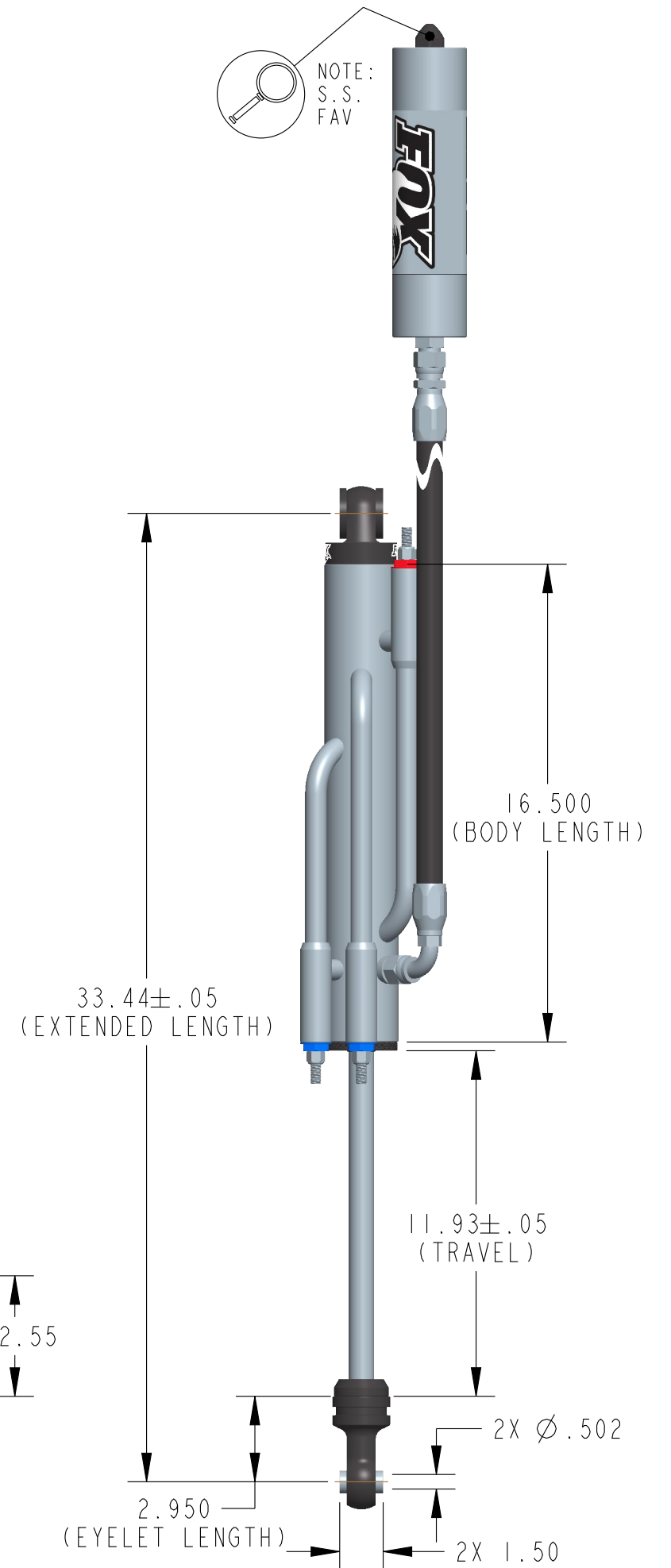
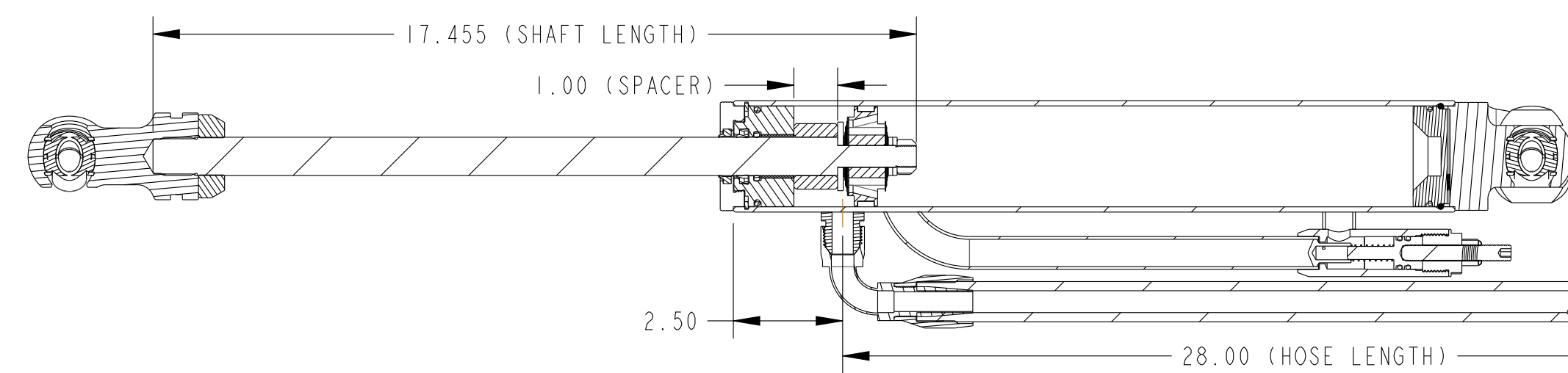
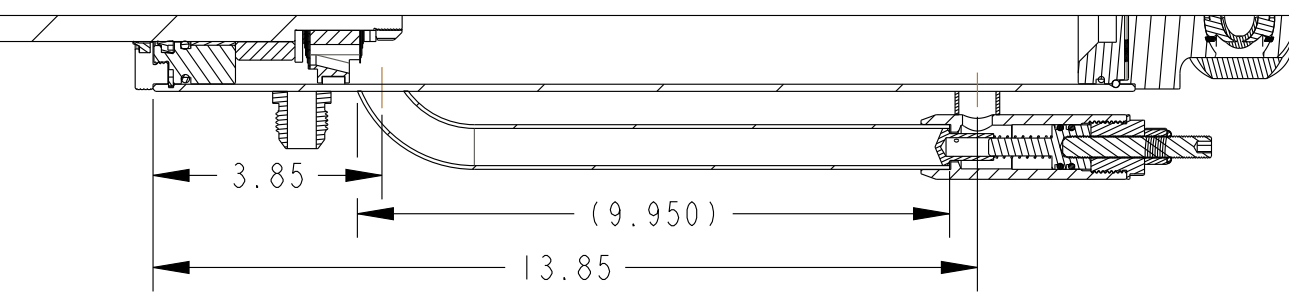
SETTING: 6 TURNS OPEN



SETTING: 3 TURNS OPEN



SETTING: 3 TURNS OPEN

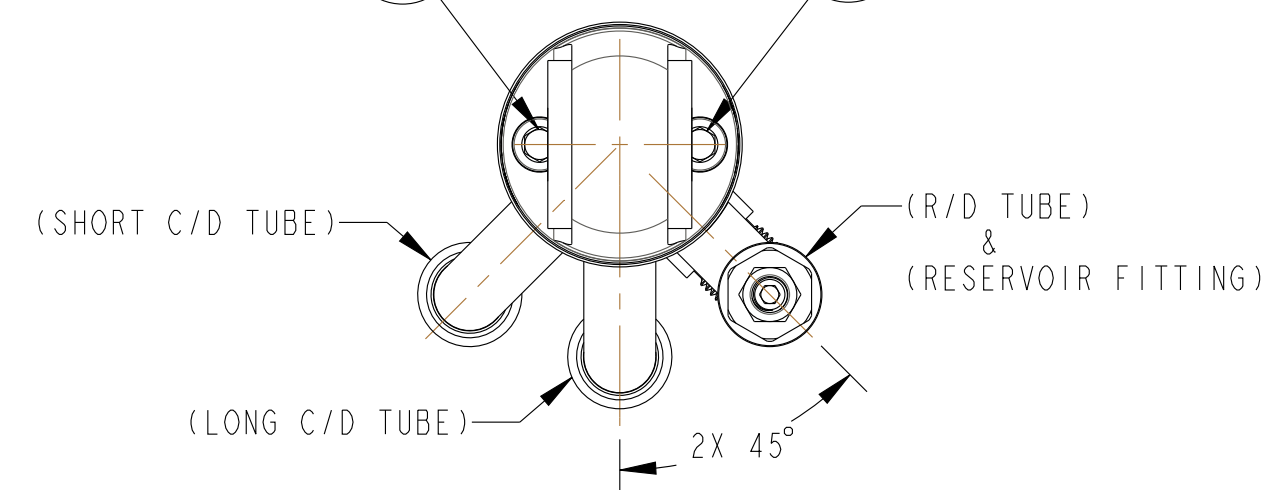


NOTE: S.S. FAV

- NOTES:
1. VALVING: SEE TABLE
 2. SEALS: VITON
 3. HOSE: -10 X 28.00 TLG (FOX P/N: 023-10-015)
 4. MOUNTING TOP: 2X 213-01-036-D & 026-01-001-B (BUSHING)
 5. MOUNTING BOTTOM: 2X 213-01-036-D
 6. NITROGEN CHARGE: 200±10 PSI
 7. RIGHT SIDE SHOWN, LEFT SIDE MIRROR

TORQUE: TIGHTEN EVENLY 40 LBS-FT

LOCTITE: BLUE 242



PART NO.	VALVING	TUBE LAYOUT
980-02-111	2, 1/70 (1X .070 BLEED)	STANDARD
980-02-111-1	CUSTOM PER CUSTOMER SPECIFIC DRAWING	CUSTOM PER CUSTOMER SPECIFIC DRAWING

UNLESS OTHERWISE SPECIFIED DIMENSIONS ARE IN: INCHES [MM]	PER ASME Y14.5M 1994		FOX Factory, Inc. 130 Hangar Way, Watsonville, CA 95076 USA Ph 831-768-1100 Fax 831-768-9312	
	APPROVALS			DATE
	DWN. BY V HAMSO	31-Oct-12		
	CHK. BY B SMITH	22-Feb-13		
TOLERANCES ARE:		TITLE		
DECIMALS .XX [.X] ± .01 [0.25]	ANGLES ± 1°	12" BYPASS (2 COMP, 1 REB) 2.5 SERIES, R/R, BLACK		
THIRD ANGLE PROJECTION		SIZE DWG. NO.		
DO NOT SCALE DRAWING		C 980-02-111		
PLOT SCALE .00:1		SHEET 1 OF 1		

- PROPRIETARY -
THIS DOCUMENT CONTAINS CONFIDENTIAL, PROPRIETARY INFORMATION THAT IS FOX PROPERTY. DO NOT DISCLOSE TO OR DUPLICATE FOR OTHERS EXCEPT AS AUTHORIZED BY FOX.

4

3

2

ProE ASSEM